



WILDERBEAST™

PATENT PENDING

An expedition trailer for the long haul

Model No. KS-TWB

OWNERS MANUAL AND ASSEMBLY INSTRUCTIONS

Please read & save all instructions contained in this booklet.

Examine all carton contents and wrappings carefully before assembly.

READY, SET...GO!™

Easy hauling is yours in a snap with your new, sturdy and smooth-riding utility trailer by KOOL-STOP ORIGINALS, INC.

The Wilderbeast™ allows you to tow everything you'll need for a serious bike trek. Tents, coolers and other large items can easily fit inside this spacious cargo trailer. You can also add two panniers to the hitch frame that allows easy access to your immediate needs such as food, water, maps, etc.

Your New WILDERBEAST™ cargo trailer includes these features:

- Extra durable construction of 4130 chrome-moly to meet the highest of safety and quality standards.
- 70 lb. capacity.
- Lightweight and easy to lift from road to car.
- Unfolds and assembles in minutes.
- Fender keeps water spray and debris off your load.
- Quickly detaches from bicycle so you can ride without the trailer.
- High visibility safety reflector.
- Color: Silver

SPECS: KS-TWB

Description: 4130 chrome-moly frame, aluminum rim and hub, and stainless steel spokes.

Weight: 18 lbs.

Height: 19 inches

Size folded: 40" x 18" x 8"

Towing capacity: 70 lbs.

SAFETY CHECK LIST:

1. Tighten and inspect trailer and bicycle before each outing.
2. Hitch attachment- check tightness often.
3. Tire air pressure 35-40 PSI.
4. Maximum towing weight-70 pounds.

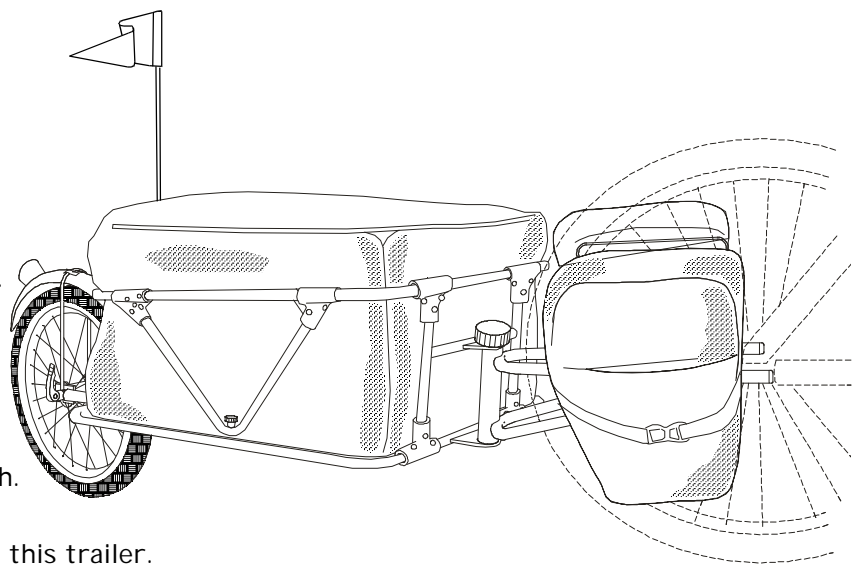
THINK SAFE AND BE SAFE!

- Avoid dangerous routes and situations.
- Control speed-Maximum 20 m.p.h., 30 k.p.h.
- Negotiate corners with care.
- Always have the flag in place when towing this trailer.

IMPORTANT!

Always wear an ANSI or SNELL approved cycling helmet when pulling the Wilderbeast™ cargo trailer.

Any use of this product not expressly stated in this owners manual is strictly prohibited and voids warranty.

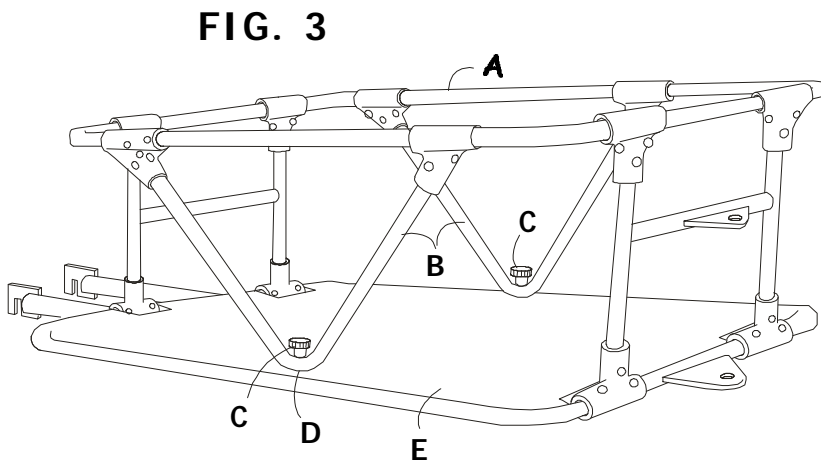
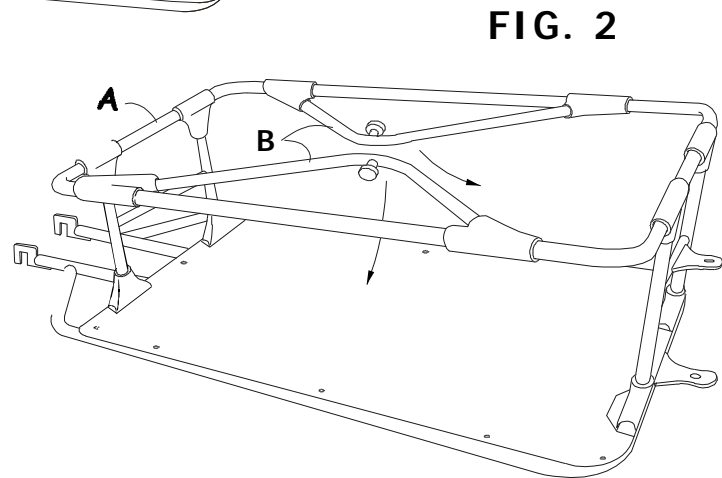
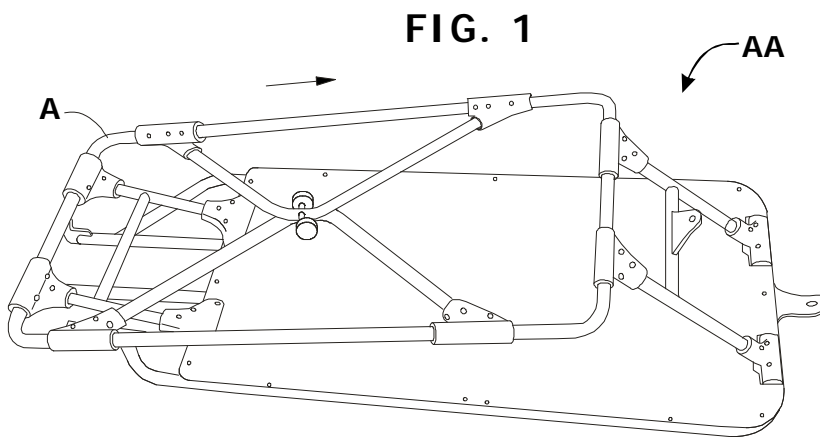


ASSEMBLY INSTRUCTIONS

Before assembling your Wilderbeast™ trailer, it is suggested that you study and see how the trailer is folded and packed for storage. Also, read all the instructions before using your new Wilderbeast™ trailer.

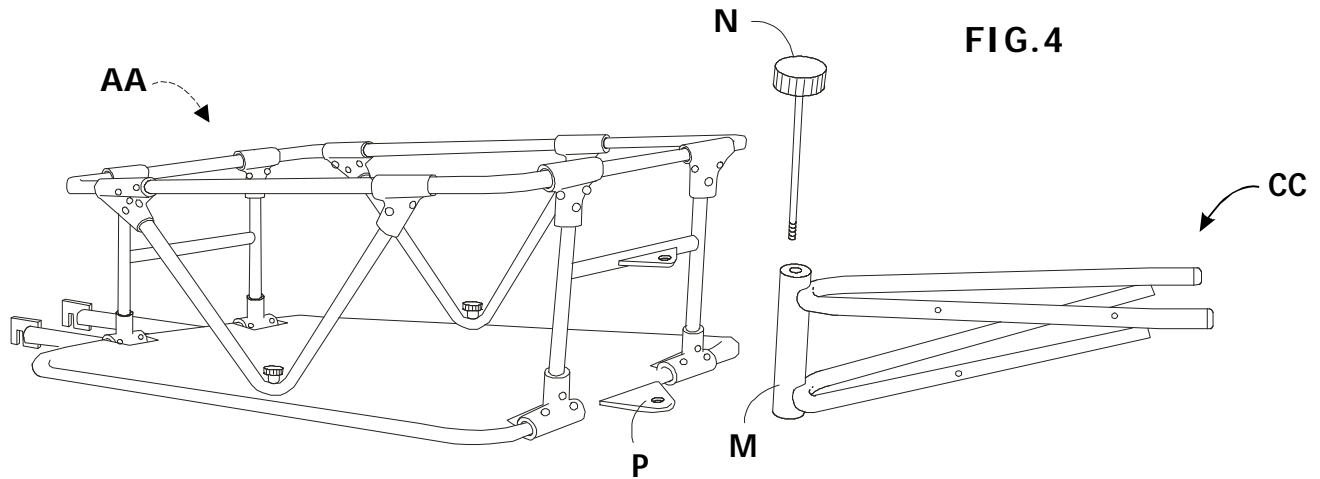
UNFOLD AND SECURE THE MAIN FRAME SIDE BARS - FIG. 1 - 3

- Gently unfold the main frame assembly **AA** by pivoting its top frame assembly **A** and moving it to the center as shown in FIG. 2.
- Unfold the side crossbars **B** by rotating it downward as shown in FIG. 3.
- Align and tighten the side crossbar knobs **C** with threaded holes **D** on the plastic floor **E**.



SECURING THE TONGUE - FIG. 4

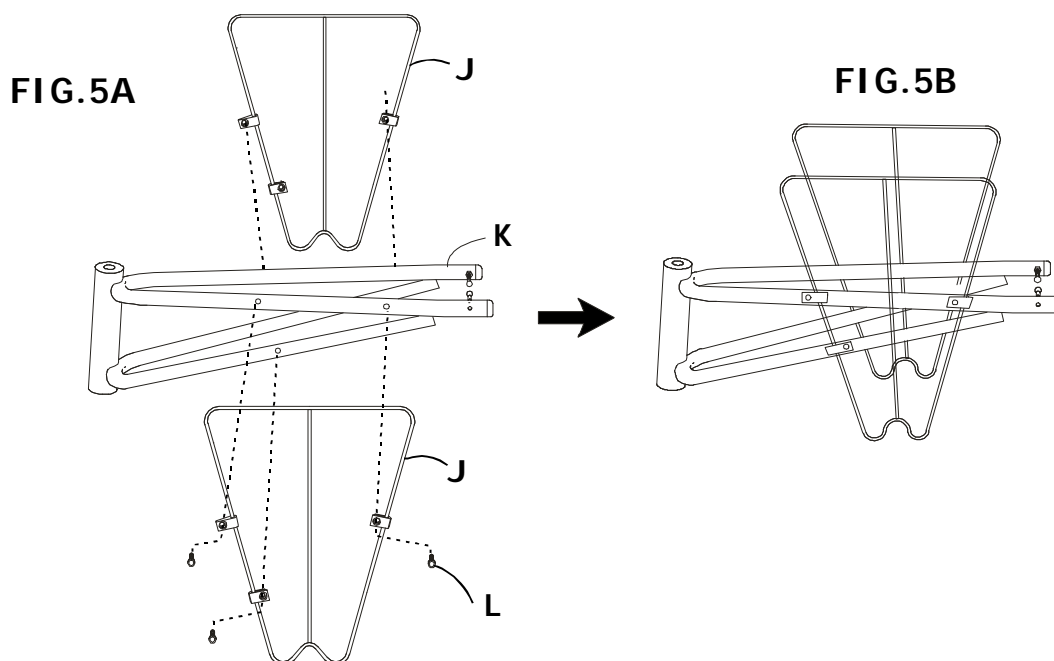
- Place the tongue Assembly **CC** (shown in FIG. 4) into the main frame assembly **AA**. Insert the threaded shaft and knob **N** thru the main frame end plate and thru tongue assembly **M**, and tighten threaded shaft into the main frame threaded plate **P**. See FIG. 4.



ASSEMBLY OF TONGUE PANNIER HOLDERS (OPTIONAL ACCESSORY) - FIG. 5A-5B

NOTE: Tongue pannier holder brackets are an accessory and are not included with the Wilderbeast™ trailer. They are sold separately.

- Install tongue pannier holders **J** to the sides of the u-shaped tongue **K**.
- Fasten the bolts **L** to secure the pannier holders to tongue **K** with a 4mm hex Allen wrench.

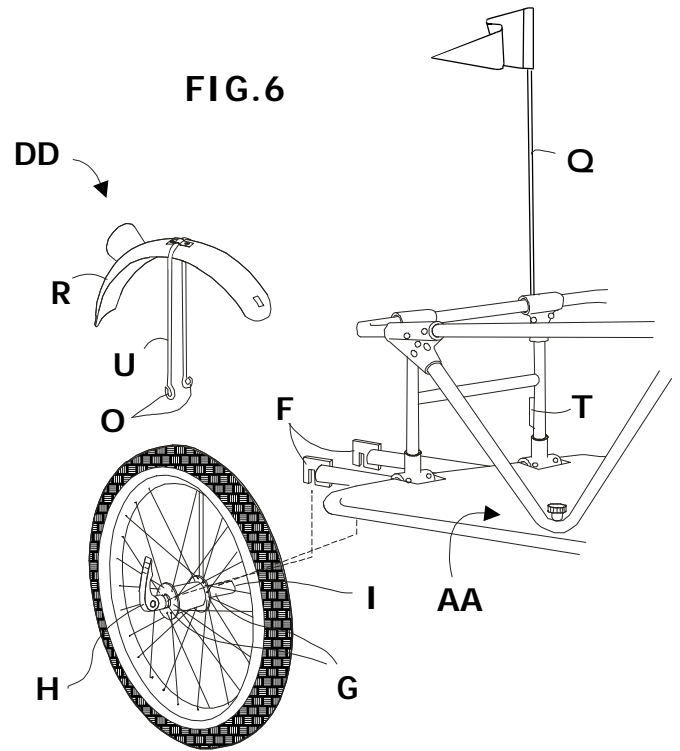


INSTALLATION OF THE FENDER - FIG. 6

- Install the fender brace **U** to the fender **R** as shown in FIG. 6.
- Secure the fender **R** to the main frame **AA** by fastening it to the frame and to the dropouts **F**.

INSTALLATION OF THE WHEEL - FIG. 6

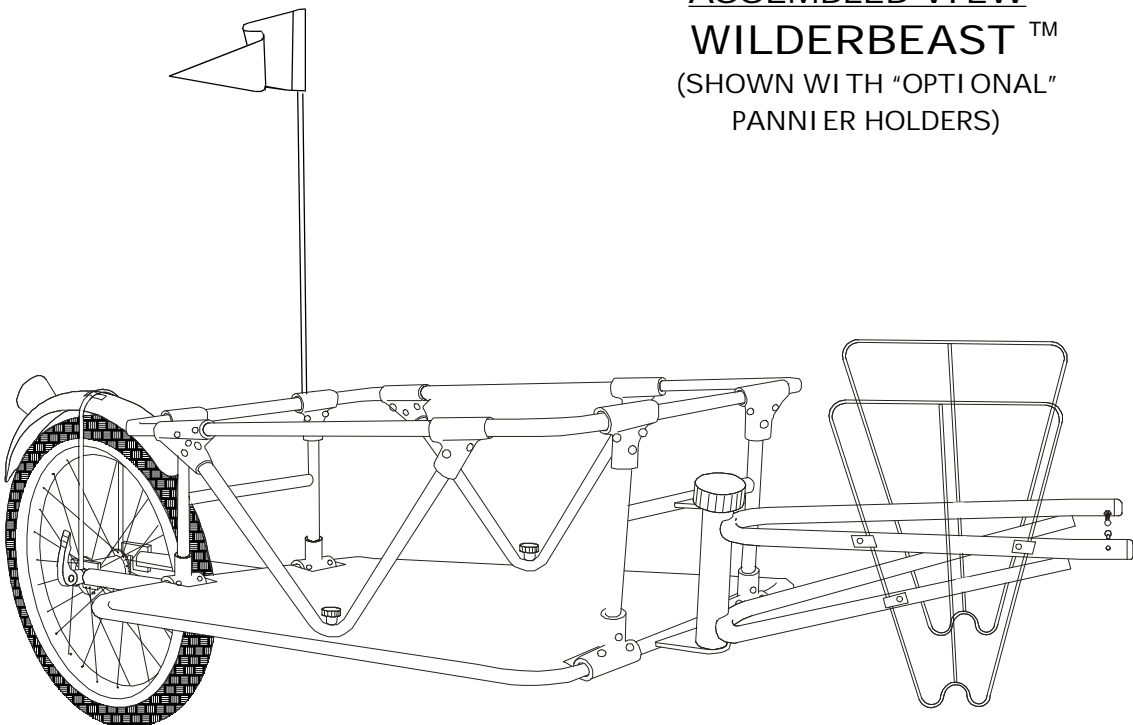
- Insert the wheel axle **G** into both wheel dropouts **F** of main body frame **AA**.
 - Clamp down the wheel axle to the wheel dropouts by rotating the clamping handle **H** 90 degrees inward to secure the wheel in place.
- You may need to adjust the clamping tension to secure the wheel. In order to do so, release the clamping handle **H** & hold the wheel axle nut **I**. By turning the nut inward or outward on the threaded axle, you are able to adjust the clamping tension.



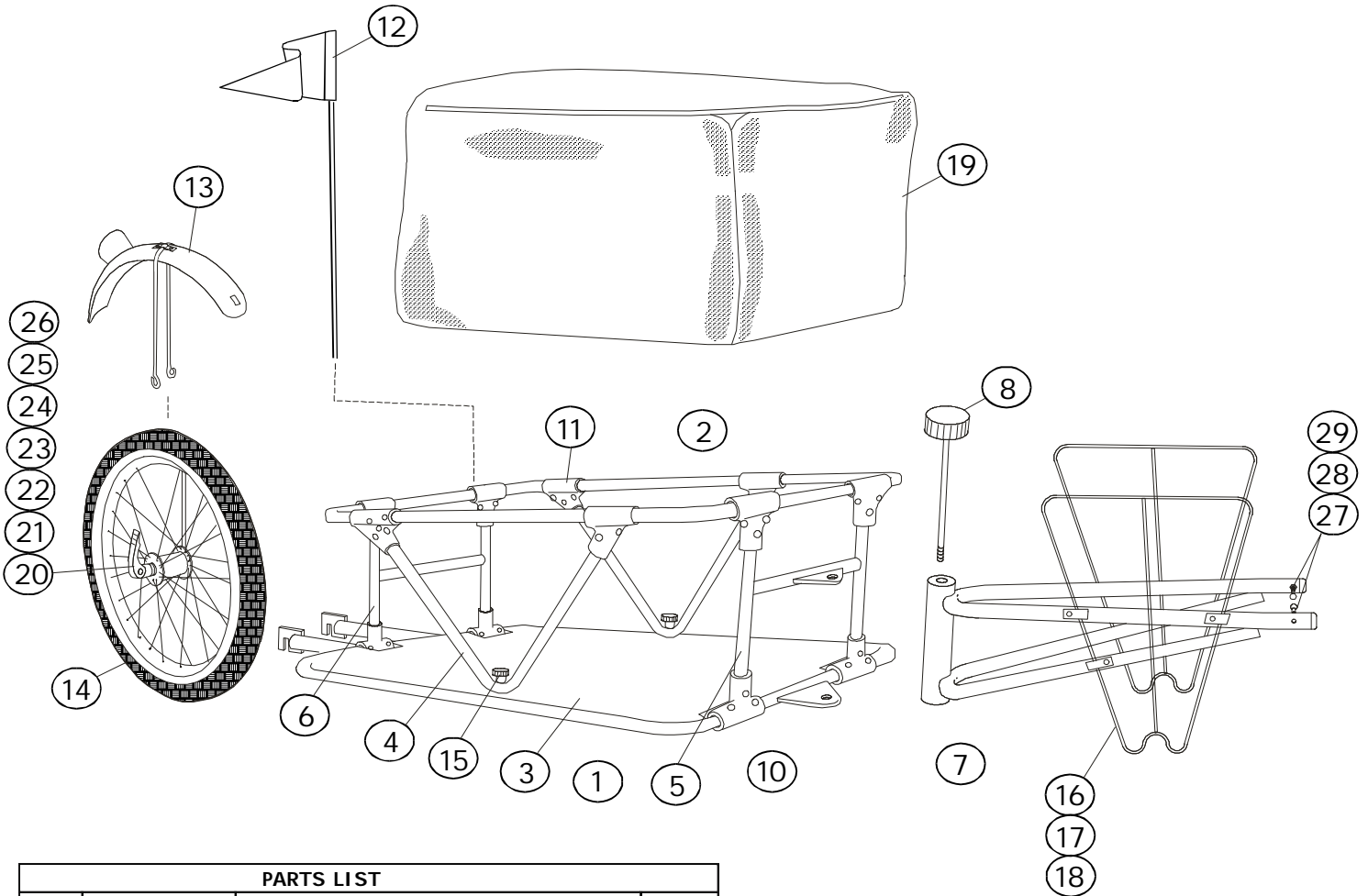
INSTALLING THE SAFETY FLAG

- Insert safety flag pole **Q** into the holder tube **T** located in the rear of main frame **AA**. See FIG. 6.

ASSEMBLED VIEW
WILDERBEAST™
(SHOWN WITH "OPTIONAL"
PANNIER HOLDERS)



DETAILED EXPLODED VIEW WILDERBEAST™



PARTS LIST			
No.	PART No.	DESCRIPTION	QTY.
1	WB-1010	MAIN (BOTTOM) FRAME ASSEMBLY	1
2	WB-1020	TOP FRAME ASSEMBLY	1
3	WB-1030	PLASTIC FLOOR	1
4	WB-1040	SIDE CROSSBAR SUPPORT FRAME	2
5	WB-1050	FRONT CROSSBAR SUPPORT FRAME	1
6	WB-1060	REAR CROSSBAR SUPPORT FRAME	1
7	WB-1070	TONGUE ASSEMBLY	1
8	WB-1080	THREADED SHAFT & KNOB	1
9	WB-1090	HITCH CLAMP ASSY (PAIR)	*2
10	WB-1100	FRAME TUBE CONNECTIONS, FRONT & REAR CONNECTION	8
11	WB-1110	FRAME TUBE CONNECTIONS, TOP	4
12	WB-1120	SAFETY FLAG	1
13	WB-1130	FENDER ASSEMBLY	1
14	WB-1140	WHEEL ASSEMBLY	1
15	WB-1150	SIDE CROSSBAR KNOB ASSEMBLY	2
16	WB-1160	PANNIER HOLDER	2
17	WB-1170	PANNIER HOLDER CLIP	6
18	WB-1180	BOLT, HEAD SOCKET HEAD M6x20MM	6

19	WB-1190	CARGO BAG	1
20	WB-1200	WHEEL BEARING	2
21	WB-1210	WHEEL AXLE TUBE ASSEMBLY	1
22	WB-1220	WHEEL AXLE CLAMPING ASSEMBLY	1
23	WB-1230	AXLE CLAMPING HANDLE	1
24	WB-1240	AXLE CLAMPING TENSION SPRING	*2
25	WB-1250	AXLE CLAMPING CONICAL NUT	1
26	WB-1260	AXLE CLAMPING SHAFT	*1
27	WB-1270	2 1/4 x 5/16" HITCH BALL	2
28	WB-1280	5/16" HEX JAM NUT	2
29	WB-1290	5/16" CROWN NYLOC NUT	2

* INDICATED ITEMS ARE NOT SHOWN ON DRAWINGS

IMPORTANT SAFETY TIP!

Your bicycle must be equipped with a good headlight, and a red taillight mounted to the rear of the trailer, if you ride at night.

WARNING! - DO NOT USE THIS TRAILER TO CARRY CHILDREN!

10 YEAR LIMITED WARRANTY

KOOL STOP ORIGINALS, INC. warrants this product to be free of defects in workmanship and material for 10 years under normal use and service following date of purchase and delivery to the original customer. The warranty does not cover wheels and tires.

This warranty will not apply to damages arising from neglect, accidental or intentional damage, institutional or commercial use, or misuse of the product.

Repairs or replacement under this warranty shall be made by KOOL STOP ORIGINALS, INC. or through an authorized KOOL STOP ORIGINALS, INC. dealer without charge to the customer.

If the dealer or factory representative finds return necessary, packing and shipping cost to the factory will be prepaid by the customer. KOOL STOP ORIGINALS, INC. will, at its sole option, repair or replace the product and ship it (or one of equivalent type and quality if exact replacement is unavailable, to the dealer authorizing the return.)

Expressly excluded by this warranty is liability for consequential property or commercial damages. THIS IS A LIMITED WARRANTY.

Information in this manual is subject to change without notice.

©1999 KOOL-STOP ORIGINALS, INC. All rights reserved. No part of this OWNER'S MANUAL and ASSEMBLY INSTRUCTIONS publication may be reproduced, transmitted, transcribed, stored in a retrieval system, or translated into any languages in any form by any means without written permission of KOOL-STOP ORIGINALS, INC.

Designed and Imported By:
KOOL-STOP INTERNATIONAL, INC.
17150 S.W. Boones Ferry Rd.
Lake Oswego, OR. 97035

Sales Office:
KOOL-STOP INTERNATIONAL, INC.
1061 South Cypress St.
La Habra, CA. 90631
(800) 247-9754
Fax: (714) 992-6191

Manufactured in Taiwan



Printed in Taiwan